

Top End® Crossfire T6A Ultra Lightweight Active Performance Adjustable Rigid Wheelchair



Price List and Order Form

Effective September 5, 2008 rev July 24, 2009

For ease of ordering, contact customer Service Toll Free at:

800-333-6900 Fax: 800-678-4682

To order Literature: 800-828-6282

www.topendwheelchair.com www.invacare.com

Company Name _____ Account # _____

Phone _____ P.O. # _____ Date _____

Ship to Name & Address _____

Special Note

HCPCS codes are not intended to be, nor should be considered billing or legal advice. Providers are responsible for determining the appropriate billing codes when submitting claims to the Medicare Program and should consult an attorney or other advisor to discuss specific situations in further detail.

FRAME TYPE

CT6A Crossfire T6A (K0005).....2,386.00 ¹

FRONT FRAME MODIFICATONS: (CHOOSE ONE)

TFE Tapered Front End..... No Charge ²

CRF2 Non Tapered "V" Front End200.00 ³

FORK OPTIONS

FLOSF Frog Legs® One-Sided Fork.....150.00 ⁴

CRF59 Frog Legs® Suspension Forks (E1015).....375.00 ⁴

SEAT WIDTH ⁵

W12 W13 W14 W15 W16 W17 W18 W19 No Charge

W20 (E2201)250.00

SEAT DEPTH ^{6 7}

D14 D15 D16 D17 D18 D19..... No Charge

D20 (E2203)250.00

Width/Depth Matrix

	12W	13W	14W	15W	16W	17W	18W	19W	20W
14D	✓	✓	✓	✓	✓	✓	✓	x	x
15D	x	x	✓	✓	✓	✓	✓	x	x
16D	x	x	✓	✓	✓	✓	✓	✓	✓
17D	x	x	✓	✓	✓	✓	✓	✓	✓
18D	x	x	✓	✓	✓	✓	✓	✓	✓
19D	x	x	x	x	✓	✓	✓	✓	✓
20D	x	x	x	x	x	✓	✓	✓	✓

x = Special
✓ = Available

FRONT SEAT-TO-FLOOR HEIGHT ²

FSTF 16" 16.5" 17" 17.5" 18" 18.5" 19" 19.5" 20"
 20.5" 21" ⁸

Front Seat-to-Floor	Knee-to-Heel Range
16"	11.25" – 15.25"
17"	12.25" – 16.25"
18"	13.25" – 17.25"
19"	14.25" – 18.25"
20"	15.25" – 19.25"
21"	16.25" – 20.25"

REAR SEAT-TO-FLOOR HEIGHT ⁹

RSTF 14" 14.5" 15" 15.5" 16" 16.5" 17" 17.5" 18"

18.5" 19" 19.5" 20"

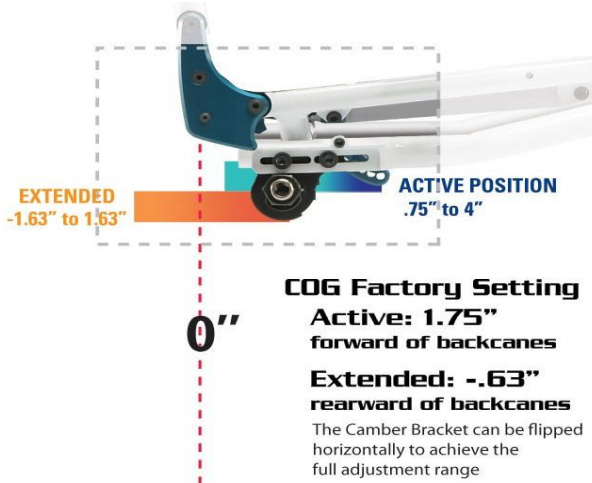
FRONT FRAME ANGLE

FFA70 FFA75 FFA80 FFA85

CENTER OF GRAVITY: ¹⁰ (CHOOSE ONE)

COGAC Active Position .75" to 4.0"..... No Charge ¹¹

COGEX Extended Position -1.63" to 1.63"..... 175.00



COG Factory Setting

Active: 1.75" forward of backcanes

Extended: -.63" rearward of backcanes

The Camber Bracket can be flipped horizontally to achieve the full adjustment range

FOOTNOTES

¹ Crossfire T6 is built of 6061T6 Aluminum.

² Tapered front end not available with front seat heights of 16" through 17.5"

³ Not available w/tapered seat width or tubular footrest.

⁴ Front suspension casters not available with 90° front frame angle. Not recommended for seat depths less than 16".

⁵ W12 & W13 only available with D14 or Less, W14 & W15 not available with D19 or D20, W16 not available with D20, W19 and W20 not available with D14 or D15

⁶ 14" Seat Depth only available with Front Seat To Floor Height less than 19"

⁷ 15" Seat Depth only available with Front Seat To Floor Height less than 19"

FOOTNOTES

⁸ 21" front seat-to-floor height is not available with a 16" seat depth.

⁹ 14" is the lowest rear seat height for 22" wheels, 15" for 24" wheels with std. tires, 15.5" for 25" wheels with std. tires or 24" wheels with knobby tires, 16" for 25" wheels with knobby tires or 26" wheels with std. tires.

¹⁰ The nominal (i.e. zero) position are back canes perpendicular with the ground.

¹¹ Measured from the front of the back post to the center of the axle.

Top End® Crossfire T6A Active Performance Adjustable Rigid Wheelchair Accessories and Options



Seat Frame and Side Frame can be painted in two different colors or the same color as shown

SIDE FRAME COLORS

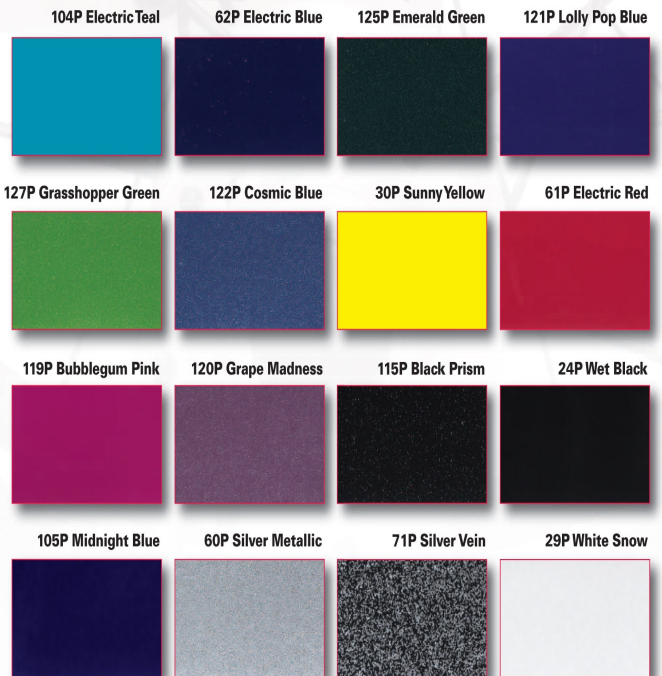
- 24P Wet Black No Charge
- 71P Silver Vein..... No Charge
- 60P Silver Metallic No Charge
- 115P Black Prism..... No Charge
- 105P Midnight Blue..... No Charge
- 30P Sunny Yellow No Charge
- 61P Electric Red No Charge
- 119P Bubblegum Pink No Charge
- 120P Grape Madness No Charge
- 62P Electric Blue No Charge
- 121P Lolly Pop Blue..... No Charge
- 122P Cosmic Blue No Charge
- 125P Emerald Green..... No Charge
- 127P Grasshopper Green No Charge
- 104P Electric Teal..... No Charge
- 29P White Snow No Charge

The T6A above is shown with a White Snow seat and side frame and Shadow Blue Anodizing Accents.

SEAT FRAME COLORS

- 24PST Wet Black Seat Frame No Charge
- 71PST Silver Vein Seat Frame..... No Charge
- 60PST Silver Metallic Seat Frame No Charge
- 115PST Black Prism Seat Frame No Charge
- 105PST Midnight Blue Seat Frame..... No Charge
- 30PST Sunny Yellow Seat Frame No Charge
- 61PST Electric Red Seat Frame No Charge
- 119PST Bubblegum Pink Seat Frame No Charge
- 120PST Grape Madness Seat Frame No Charge
- 62PST Electric Blue Seat Frame No Charge
- 121PST Lolly Pop Blue Seat Frame..... No Charge
- 122PST Cosmic Blue Seat Frame No Charge
- 125PST Emerald Green Seat Frame..... No Charge
- 127PST Grasshopper Green Seat Frame No Charge
- 104PST Electric Teal Seat Frame No Charge
- 29PST White Snow Seat Frame No Charge

Frame Colors



Color anodizing package includes the circled features shown

ANODIZING ACCENTS ^{12 13}

- ANOBLK Bold Black **Standard**
 - ANOSLV Classic Silver..... No Charge
 - ANOBLU Shadow Blue 50.00
 - ANORED Victory Red..... 50.00
- See page 5 for Special Edition anodizing colors..... 60.00

FOOTNOTES

¹² Includes Forks, Seat Slope Crescent Pivot Link, and Back Angle Bracket
¹³ Anodizing accents are not exact matches to any frame colors. Shadow Blue does not match any blue frame, Victory Red does not match the Electric Red frame, and Classic Silver does not match the Silver Metallic frame.

Top End[®] Crossfire T6A Active Performance Adjustable Rigid Wheelchair Accessories and Options

WHEELS

CASTER OPTIONS

- 3SOFR 3" Aluminum Soft Roll 90.00 ¹⁴
- CRFF3 3" Micro No Charge
- CRF654 4" Semi-Pneumatic No Charge
- CRF655 5" Semi-Pneumatic No Charge
- CRFA654 4" Aluminum Soft Roll 90.00
- CRFA655 5" Aluminum Soft Roll 90.00
- CRF884 4" Lighted Front Wheels 70.00

Overall Width by Camber Angle				
Wheel Type	0°	3°	6°	9°
Spoke	6.75"	8"	10"	12.25"

Add the amount above to the seat width to obtain the overall width at its widest point.

CAMBER SYSTEM ¹⁵

- CRF630 0° Camber Tube with Single Camber **Standard**
- CRF633 3° Camber Tube with Single Camber No Charge
- CRF636 6° Camber Tube with Single Camber No Charge
- CRF639 9° Camber Tube with Single Camber No Charge ¹⁶
- CRF640 0° Extra Camber Tube 150.00
- CRF643 3° Extra Camber Tube 150.00
- CRF646 6° Extra Camber Tube 150.00
- CRF649 9° Extra Camber Tube 150.00

Wheel/Tire Chart –Spoked Wheels; See Footnotes for Detailed Exclusions				
Tire Choices	22"	24"	25"	26"
Primo: 1" high pressure grey clincher	✓	✓	✓	✓
Kenda: 1" high pressure clincher		✓	✓	
Schwalbe 1" Black flat resistant		✓	✓	✓
1-3/8" grey treaded	✓	✓		✓
1-3/8" w/ flat free	✓	✓		
Solid 1" no-flat		✓	✓	
Knobby: 2" wide grey		✓	✓	

✓=Available

REAR WHEEL OPTIONS: (SEE WHEEL/TIRE CHART)

- CRF22SP 22" Spoke No Charge ¹⁷
- ZEROG24 24" Sun Zero-G 30 Spoke Stylized Wheel ... No Charge
- ZEROG25 25" Sun Zero-G 30 Spoke Stylized Wheel No Charge
- ZEROG26 26" Sun Zero-G 30 Spoke Stylized Wheel No Charge
- CRF6722 22" Spinergy Spox Wheels* 695.00 ^{17 18}
- CRF6724 24" Spinergy Spox Wheels* 695.00 ¹⁸
- CRF6725 25" Spinergy Spox Wheels* 695.00 ¹⁸
- CRF6726 26" Spinergy Spox Wheels* 695.00 ¹⁸
- SPLX24 24" Spinergy LX Wheels* 895.00 ¹⁸
- SPLX25 25" Spinergy LX Wheels* 895.00 ^{17 18}
- FN1624 24" Sun Fusion 16 Spoke Wheel 325.00 ¹⁸
- FN1625 25" Sun Fusion 16 Spoke Wheel 325.00 ¹⁸
- FN1626 26" Sun Fusion 16 Spoke Wheel 325.00 ¹⁸

FOOTNOTES

- ¹⁴ Aluminum soft roll casters are 1.4" wide with soft roll tires. For suspension fork option, see page 1.
- ¹⁵ 0, 3, and 6 degree camber with 22" wheels not available with 19.5" through 21" front seat heights
- ¹⁶ 9 degree camber with 24" wheels not available with 21" front seat height and 20" through 21" rear seat heights and 9 degree camber with 22" wheels not available with 19" through 21" front seat heights
- ¹⁷ 22" wheels not available with 19", 19.5", 20", 20.5" and 21" rear seat heights.
- ¹⁸ FN1624 excludes CRF73; FN1625 excludes CRFPN and CRF73; FN1626 excludes CRF73, CRF60, CRF7G, CRF7BK, CRF101R and CRF101Y; CRF6722 excludes CRF123, CRF60, CRF7G, CRF7BK, CRF101R and CRF101Y, CRF6724 and SPLX24 excludes CRF73, CRF6725 and SPLX25 excludes CRFPN and CRF73, CRF6726 excludes CRF73, CRF60, CRF7G, CRF7BK, CRF101R and CRF101Y

*Spinergy Spoke Color (If color is not chosen, spokes will be black.)

- SPCY – Yellow
- SPCBK – Black
- SPCW – White
- SPCR – Red
- SPCBL – Blue

TIRE OPTIONS: (SEE WHEEL/TIRE CHART)

- CRFPR Primo High Pressure Tires: Grey No Charge
- CRFPN Pneumatic – 1 3/8 Treaded: Grey No Charge
- CRF123 Schwalbe 1" Flat resistant: black 90.00
- CRF73 Pneu w/FF – 22 or 24 x 1 3/8" Tires (E2213) 125.00
- CRF60 Knobby Tires Grey 75.00
- CRF7G Solid No Flat Tires: Grey 75.00
- CRF7BK Solid No Flat Tires: Black 75.00
- CRF101R Kenda[®] High Pressure Tires: Red 75.00
- CRF101Y Kenda High Pressure Tires: Yellow 75.00

HANDRIM OPTIONS

- BLKANHR Bold Black Anodized Handrims **Standard**
- CRF77 Aluminum Anodized Handrims No Charge
- CRF75 Titanium Handrims 600.00
- CRF8 Coated Handrims 100.00
- NFSDLT **Natural Fit[®] LT Standard Grip Handrims 325.00 ¹⁹**
- NFSPLT **Natural Fit[®] LT Super Grip Handrims 370.00 ¹⁹**
- CRF99 Natural Fit[®] Standard Grip Handrims 295.00 ¹⁹
- CRF98 Natural Fit[®] Super Grip Handrims 340.00 ¹⁹

MOUNTING HANDRIMS

- OUT Mount Outside Handrim **Standard**
- IN Mount Inside Handrim (Close) No Charge

AXLE TYPE

- A1577 Quick Release Axles **Standard**
- CRF27 Quad Release Axles (K0108) 125.00
- CRF76 Titanium Axles (K0108) 150.00

WHEELS: EXTRA SET FOR OFF ROAD

(INCLUDES: WHEELS, TIRES & ALUMINUM PUSHRIMS)

- CRF91 24" Knobby Tires (540) 550.00 ²⁰
- CRF92 25" Knobby Tires (559) 550.00
- CRF93 Extra Set of Axles 55.00

WHEEL LOCKS: (CHOOSE ONE)

- CRFPUL Pull to Lock Wheel Locks No Charge
- CRFPSH Push to Lock Wheel Locks No Charge
- CRF109 Hideaway Undermount Wheel Locks 65.00 ²¹
- CRF22 Hill Holders (E0974) 150.00 ²²
- CRFOWL Omit Wheel Locks No Charge

POSITIONING

BACK TYPE ²³

- LKDW Lock-Down, Folding Ht/Angle Adj Back **Standard**

BACK HEIGHT: (CHOOSE ONE) ²³

- BH811 – 8" – 11" BH1014 – 10" – 14" BH1216 – 12" – 16"
- BH1418 – 14" – 18" BH1620 – 16" – 20"

FOOTNOTES

- ¹⁹ Natural Fit handrims not available with 22" std. spoke wheel
- ²⁰ 24" knobby match up with 25" daily use wheels, with Primo tires and 25" knobby match up best with 26". Extra set includes standard wheels, anodized handrims and knobby tires.
- ²¹ Not available on 14" depth.
- ²² Not available when CRF7G or CRF7BK is selected.
- ²³ 16° range in 4° increments (98°, 94°, 90°, 86°, 82°); factory setting ~90° relative to ground. The folding back is manufactured of 1" aluminum tubing and is available with adjustable height (3/4" tube telescoping in 1" tube).

Top End[®] Crossfire T6A Active Performance Adjustable Rigid Wheelchair Accessories and Options

BACK UPHOLSTERY OPTIONS ²⁴

- CRFBAT Ballistic Nylon Adj. Tnsn Uph w/ Anchors**Standard**
- MESH Breathable Mesh Adj. Tnsn Uph w/Anchors No Charge
- CRF16 Fold Over Back Upholstery 100.00

BACK UPHOLSTERY COLORS

- UPH1 Camouflage..... 100.00 ²⁵

SEAT UPHOLSTERY

- CRFT1112 Screw-on Seat Upholstery.....**Standard**

CUSHION ²⁶

- CRF14 2" Soft Cushion 104.00

ARM TYPE

- CRF78 Swingaway Arms.....**Standard** ^{27 28}
- TAHD T Arm Adj Hgt Desk (E0973)..... 240.00 ²⁹

Arm Heights (Top of Seat Rail to Top of Armrest)		
Arm Type		
Swingaway	10.5" – 12.5"	(Adjustable in 1" Increments)
T-Arm	9.5" – 11.5"	(Adjustable in 1" Increments)

MISCELLANEOUS

BACK ACCESSORIES

- CRF82 Push Handles adjustable height bolt-on 200.00 ³⁰
- CRF13 Push Handles non-adjustable bolt-on..... 75.00
- CRF97 Bolt-through Integral Push Handles..... 100.00 ³¹
- L8601 Omit Back Upholstery Less 10.00

SEAT ACCESSORIES

- CRF29 Seat Pouch 35.00
- CRF72 Positioning Strap – Hook & Loop (E0978)..... 40.00
- CRF74 Positioning Strap – Auto Style (E0978)..... 50.00

SIDE GUARDS

- CRF121 Fold-in Style Black Aluminum Side Guards..... 125.00
- CRFSG Fold-in Style Carbon Fiber Side Guards 325.00
- CRF79 Removable Side Guards/Fender..... 175.00
- 1671-SM Rigid Side Guards, Small..... 125.00
- 1671-LG Rigid Side Guards, Large..... 125.00
- 1671-SMH Quad Rigid Side Guards, Small 125.00
- 1671-LGH Quad Rigid Side Guards, Large 125.00

MISCELLANEOUS ACCESSORIES

- CRF21C Spoke Protectors: Clear (K0065) 75.00
- CRF23 Rear Anti Tippers (E0971)..... 100.00
- CRF94 Alignment Gauge..... 75.00

FOOTNOTES

- ²⁴ All back upholstery options are a standard black color. CRF16 is Nylon ONLY
- ²⁵ Camouflage upholstery available with CRFBAT and CRF16
- ²⁶ Cushions are soft foam cushions not intended to provide skin protection or positioning. If a therapeutic cushion is needed please order from Invacare Customer Service 1-800-333-6900.
- ²⁷ Adjustable height push handles are not compatible with swingaway arms. The non-adjustable push handles (CRF13) or integral style will work.
- ²⁸ Swingaway arms are not available with an extended frame when 22" wheels are selected with RSTF less than 15", or when 24" wheels are selected with RSTF less than 16", or when 25" wheels are selected with RSTF less than 16.5", or when 26" wheels are selected and RSTF is less than 17".
- ²⁹ Not available w/side guard options; comes standard with rigid side guards.
- ³⁰ Bolted to the back post and have 10" of adjustment up or down. 16" tall. Adjustable height push handles are not compatible with swingaway arms. The non-adjustable push handles (CRF13) or integral style will work.
- ³¹ Not available with fold over back upholstery (CRF16).

FOOTPLATE OPTIONS

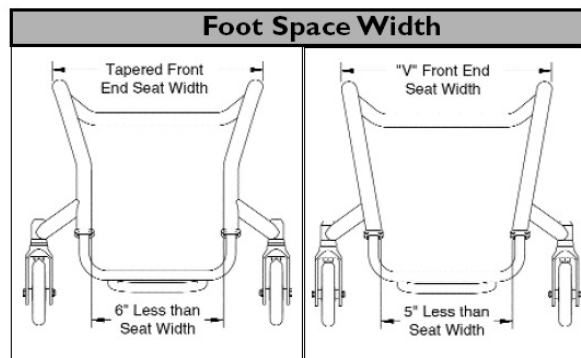
- CRFTFR 1 Piece Tubular Footrest..... **Standard** ³²
- CRF1FP Adjustable Angle One Pc Ftplate No Charge ³³
- CRF191 Adjustable Angle Footrest with 2" Risers (K0040)95.00

FOOTREST/LEGREST ACCESSORIES

- CRF10 Plastic Footrest Cover 75.00 ³⁴
- CRF89 Carbon Fiber Footrest Cover 125.00 ³⁴
- FRMPRBK ChairArmor Black Neoprene Frame Protectors..... 65.00 ³⁵
- FRMPRS ChairArmor Silver Neoprene Frame Protectors..... 65.00 ³⁵
- FRMPRR ChairArmor Red Neoprene Frame Protectors..... 65.00 ³⁵
- FRMPRB ChairArmor Blue Neoprene Frame Protectors..... 65.00 ³⁵
- CRF103 Luggage Carriers 100.00
- CRF133 Calf Strap No Charge

SPECIFICATIONS

Overall Width	6.75" plus seat width w/0° camber
Seat Widths	12"-20"
Seat Depths	14"-20"
Front seat-to-floor*	16"-21" (1/2" increments)
Rear seat-to-floor	14.5"-20" (1/2" increments)
Axles Positions	Active, Extended
Center-of-gravity range	3.25"
Front Frame Modifications	Tapered, V-front
Front Frame Angles	70°, 75°, 80°, 85°
Side and Seat frame color choices	16 colors
Anodizing color options	Victory Red, Shadow Blue, Bold Black, Classic Silver
Wheel options	22", 24", 25", 26"
Tire Options	Schwalbe® Primo, Knobby, Kenda, Treaded Pneumatic, Pneumatic Flat Free
Camber Choices	0°, 3°, 6°, 9°
Spiniery wheel spoke color choices	Red, Blue, White, Yellow, Black
Caster Options	3", 4", 5"
Handrim Options	Black & Silver Anodized, Natural Fit, Titanium, Nylon Coated
Arm Type	T-Arm Swingaway
Back Type	Folding, lock down, angle adj. back (16° range of adjustment in 4° increments)
Back Height	8"-11", 10"-14", 12"-16", 14"-18", 16"-20"
Adjustable Tension Back Upholstery Options	Breathable mesh, Ballistic Nylon
Side Guards	Fold in, Folding, Removable
Weight Capacity	250 lb.
Chair Weight **	13, 16 lbs.
* Measurement taken from top of seat rail to bottom of footrest	
** 16x16 w/no rear wheels, bolt-on seat upholstery, mesh back upholstery w/ adjustable tension & 4" semi-pneumatic casters	



FOOT SPACE WIDTH: See above, except seat widths 12"/13"/14" = width of 8"

FOOTNOTES

- ³² One piece tubular footrest does not have a cover.
- ³³ Adjustable angle one-piece footplate is standard for frames with V style front end and not available with CRFTFR
- ³⁴ Tubular footrest only.
- ³⁵ Set of 3 pieces includes two front frame protectors and one rigidizer bar protector

Invacare® Crossfire T6A Peak-Performance Rigid Wheelchair Accessories and Options

WEIGHT CHART – 18 FSTF/16 RSTF

	W12	W13	W14	W15	W16	W17	W18	W19	W20
D14	19.88	20.06	20.24	20.42	20.60	20.78	20.96	✕	✕
D15	✕	✕	20.42	20.60	20.73	20.96	21.14	✕	✕
D16	✕	✕	20.60	20.78	20.96	21.14	21.32	21.50	21.68
D17	✕	✕	20.78	20.96	21.14	21.32	21.50	21.68	21.86
D18	✕	✕	20.96	21.14	21.32	21.50	21.68	21.86	22.04
D19	✕	✕	✕	✕	21.50	21.68	21.86	22.04	22.22
D20	✕	✕	✕	✕	✕	✕	22.04	22.22	22.40

Standard Chair Includes:

- Tubular footrest without plate
- 4" Semi-pneumatic casters/ forks
- 0° or 3° Camber
- 24" Sun Zero-G wheels
- 24" High pressure tires/aluminum anodized handrims
- 10" – 14" height, folding back
- Adjustable tension back w/ breathable mesh upholstery

<p>Seating</p> <p>No cushion 0</p> <p>2" cushion +1.10</p> <p>3" cushion +1.65</p> <p>Screw-on seat upholstery +.05</p> <p>Back Type</p> <p>Folding 0</p> <p>Push Handles</p> <p>Adjustable height bolt-on +1.60</p> <p>Fixed height bolt-on +1.70</p> <p>Integral: welded +.75</p> <p>Integral: bolt-through +.75</p> <p>Back Upholstery</p> <p>Adjustable tension w/ straps 0</p> <p>Fold over +.09</p> <p>Omit back upholstery -.97</p> <p>Armrests</p> <p>Swingaway padded tubular +3.06</p> <p>T-Arm, Desk Length +3.04</p> <p>Footrest</p> <p>Tubular 0</p> <p>Adjustable angle one piece footplate +.60</p> <p>Plastic footrest cover +.35</p> <p>Carbon fiber footrest cover +.30</p> <p>Front Casters (pair)</p> <p>3" Micro -.13</p> <p>3" Aluminum softroll +0.44</p> <p>4" Semi pneumatic 0</p> <p>5" Semi pneumatic +.27</p> <p>4" Aluminum softroll +.44</p> <p>5" Aluminum softroll +.88</p> <p>4" Lighted +.22</p> <p>Frog leg front suspension forks +.64</p> <p>Wheel Locks</p> <p>Push or pull-to-lock +1.24</p> <p>Undermount scissor +1.36</p> <p>Hill holders/grade aids +.51</p>	<p>Sideguards</p> <p>Fold-in Aluminum Large/Small +2.15/1.45</p> <p>Removable +1.45</p> <p>Removable side guards with fender +1.94</p> <p>Fixed aluminum +1.45</p> <p>Fixed/fold-in carbon fiber +.95</p> <p>Rear Tires (pair)</p> <p>High pressure, Primo or Kenda 0</p> <p>Schwalbe +.75</p> <p>Pneumatic 1 3/8" +1.40</p> <p>Pneumatic Flat Free +1.45</p> <p>Knobby +3.10</p> <p>Solid No Flat +2.15</p> <p>Rear Wheels (pair)</p> <p>22" spoke -.60</p> <p>24" Sun Zero-G Stylized Wheel 0</p> <p>25" Sun Zero-G Stylized Wheel +.12</p> <p>26" Sun Zero-G Stylized Wheel +.24</p> <p>24" Spinergy -.80</p> <p>25" Spinergy -.60</p> <p>26" Spinergy -.25</p> <p>Handrim</p> <p>Aluminum 0</p> <p>Titanium +.20</p> <p>Plastic coated +1.40</p> <p>Natural fit standard grip +1.68</p> <p>Natural fit super grip +1.70</p> <p>Axles</p> <p>Standard quick release 0</p> <p>Titanium quick release +.17</p> <p>Quad quick release +.22</p> <p>Accessories</p> <p>Frame protectors +.10</p> <p>Luggage carriers +.75</p> <p>Calf strap +.10</p> <p>Seat pouch +.35</p> <p>Positioning Strap – hook and loop +.10</p> <p>Positioning Strap – auto style +.50</p> <p>Spoke guards – black +1.40</p> <p>Spoke guards – clear +1.60</p> <p>Anti-tip bars +1.63</p> <p>Crutch holder +1.45</p>
---	--

Available through our Specials Department

Special Edition C- 090505102130
 Anodizing Colors:
 Gold, Bronze, Orange,
 Green, Purple, Yellow



USA
 One Invacare Way
 Elyria, OH USA
 44035-4190
 800-333-6900

All rights reserved. Trademarks are identified by the symbols ™ and ®. All trademarks are owned by or licensed to Invacare Corporation unless otherwise noted. Sun® is a registered trademark of Sun Components Inc. Spinergy™ is a registered trademark of Spinergy Corp. Frog Legs is a registered trademark of Frog Legs, Inc. Schwalbe is a registered trademark of RALF BOHLE GmbH in Reichshof Germany. Kenda is a registered trademark of Kenda Rubber Industrial Co. Ltd. Specifications and prices are subject to change without notification
 ©2009 Invacare Corporation